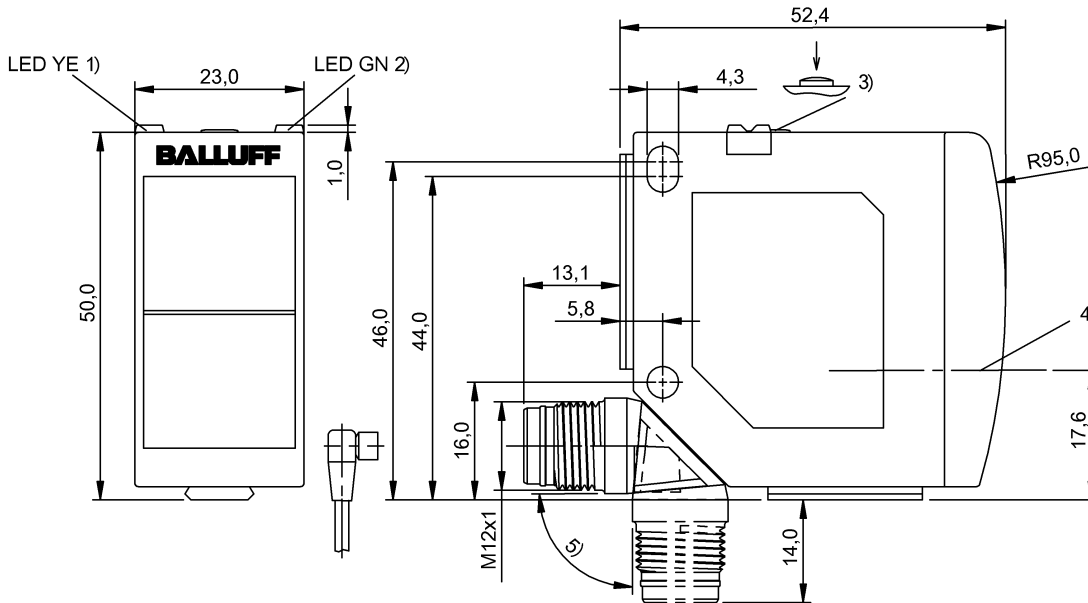


## BOS 23K-XI-RS11-S4 BOS01UT



1) Alignment mode active 2) Power/alignment mode active 3) Alignment mode on/off 4) Optical axis 5) rotatable 270°



### Display/Operation

|          |                       |
|----------|-----------------------|
| Adjuster | Key (1x)              |
| Setting  | Alignment mode on/off |

### Electrical connection

|                             |                                  |
|-----------------------------|----------------------------------|
| Connection                  | M12x1-Connector, 4-pole, A-coded |
| Polarity reversal protected | yes                              |

### Electrical data

|   |             |
|---|-------------|
| Baud rate   | 38.4 kBaud  |
| MTTF (40 °C)  | 494 a       |
| No-load current I <sub>o max.</sub> at U <sub>e</sub> | 30 mA       |
| Operating voltage U <sub>b</sub>                      | 18...30 VDC |
| Protected against miswiring                           | yes         |
| Rated operating voltage U <sub>e DC</sub>             | 24 V        |

### Environmental conditions

|                         |             |
|-------------------------|-------------|
| Ambient temperature     | -20...60 °C |
| IP rating per DIN 40050 | IPx9K       |

Protection type IEC 60529

IP6x

### Functional safety

|                     |       |
|---------------------|-------|
| Diagnostic coverage | 0.0 % |
| Functional safety   | no    |
| Mission Time        | 10 a  |

### General data

|                     |                                     |
|---------------------|-------------------------------------|
| Approval/Conformity | CE<br>cULus<br>Ecolab               |
| Basic standard      | IEC 60947-5-2                       |
| Reference receiver  | BOS 23K-GI-RE10-S4                  |
| Series              | 23K                                 |
| Style               | Square<br>Connection can be rotated |

### Material

|                          |           |
|--------------------------|-----------|
| Housing material         | PC<br>ABS |
| Material sensing surface | PMMA      |

## BOS 23K-XI-RS11-S4 BOS01UT

### Mechanical data

|                        |                   |
|------------------------|-------------------|
| Dimension              | 23 x 51 x 52.4 mm |
| Fastening detail       | Screw M4          |
| Tightening torque max. | 1.5 Nm            |

### Optical data

|                                |                               |
|--------------------------------|-------------------------------|
| Beam characteristic            | Divergent                     |
| LED group per IEC 62471        | Exempt Group                  |
| Light type                     | LED Red light                 |
| Principle of optical operation | Through-beam sensor (Emitter) |
| Wave length                    | 640 nm                        |

### Output/Interface

|                |                    |
|----------------|--------------------|
| Input function | Test (Emitter off) |
| Interface      | IO-Link            |

Process data cycle min. 5 ms

### Range/Distance

|                             |                  |
|-----------------------------|------------------|
| Measuring range             | 0...20 m         |
| Range                       | 0...20 m         |
| Rated operating distance Sn | 20 m, Adjustable |
| Ripple max. (% of Ue)       | 10 %             |

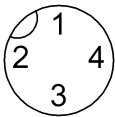
### Remarks

Do not press key using a pointed tool.  
Order accessories separately.  
For additional information, refer to user's guide.

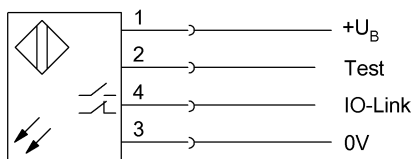
For further information on MTTF/B10d, please refer to the MTTF / B10d Certificate.

Specification of the MTTF value and the B10d value do not represent any binding quality and/or life expectancy guarantees.

### Connector view



### Wiring Diagram



### Symbols for Optoelectronic Sensors

